



ALSD2 - Siren Driver

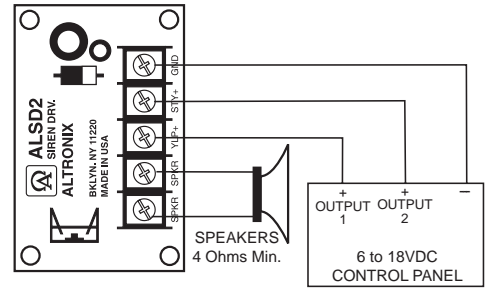
Overview:

The ALS2 is a high output very low current draw dual channel siren driver designed to work with alarm panels with limited current capability.

Specifications:

- 6 or 12VDC operation.
6VDC to 12VDC operation
Parallel or series speaker wiring
103 db @ 10 ft. @ 6V - 8 Ohms
105 db @ 10 ft. @ 6V - 4 Ohms
106 db @ 10 ft. @ 12V - 8 Ohms
111 db @ 10 ft. @ 12V - 4 Ohms
Current draw range from .3 amp to 1.22 amp based on speaker resistance and supply voltage.
- Two (2) channel operation - steady or yelp.
- Very low current draw.

Enclosure Dimensions: 1.75" H x 2.75" W x 1.1" D



Installation Instructions:

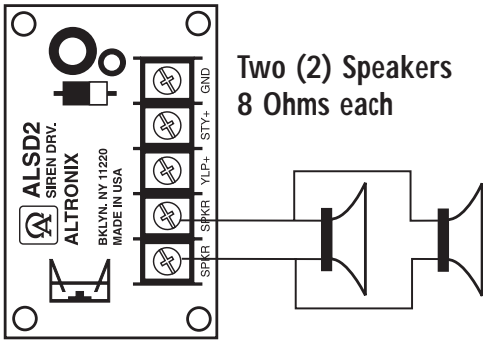
1. Mount the ALS2 in desired location.
2. Connect 4 Ohm or 8 Ohm speakers to terminals marked [SPKR] (see suggested speaker wiring diagrams below).
3. Connect 6VDC to 12VDC from output terminals on control panel or other desired power source

(observing polarity) to [GND] and [STY+] or [YLP+] on ALS2.

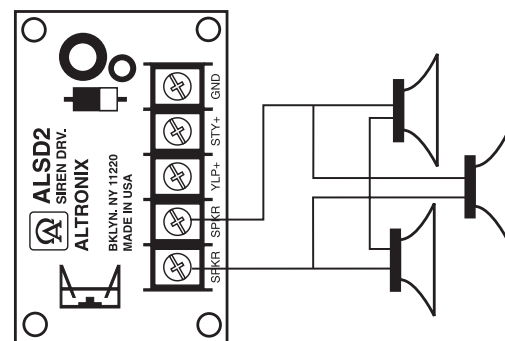
Note: Steady tone overrides yelp tone if both channels are triggered simultaneously.

Voltage	Current Drain	Load
6V	.3A	8 Ohms
6V	.61A	4 Ohms
12V	.55A	8 Ohms
12V	1.22A	4 Ohms

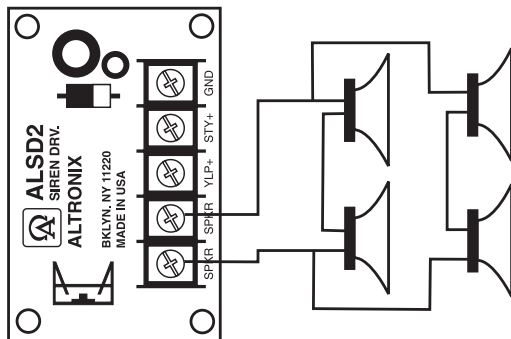
Typical Speaker Wiring Diagrams:



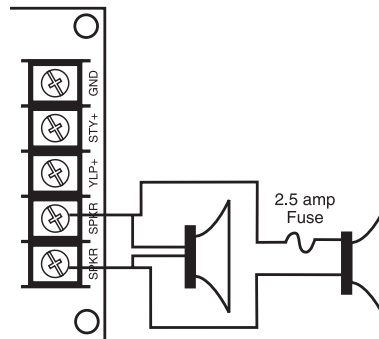
Three (3) Speakers 8 Ohms each



Four (4) Speakers 4 or 8 Ohms each



Two (2) Internal/External Hook-up



Fusing External Speakers:

Speakers that are accessible from outside a building should have a 2.5 amp fuse placed in series with the speaker leads so that any attempt to short the speaker leads will blow the fuse on that speaker while other speakers will continue to operate.



Altronix is not responsible for any typographical errors. Product specifications are subject to change without notice.